

Megapixel Bullet Network Camera



OB-100A Series

- H.264, MPEG-4 and MJPEG Triple Codec Compression with Dual Simultaneous Streaming
- Power over Ethernet
- Built-in Micro SD/SDHC Memory Card Slot for Local Storage (*)
- 1 DI/DO for External Alarm and Sensor Device
- Smart Focus to get excellent image quality easily (*)
- IEEE 802.11a/b/g/n Compliance (*)
- Built-in 3G SIM slot (*)
- IP67 Outdoor enclosure Built-in Fan and Heater (*)

Camera Accessories



CI-807 / CI-812 (OB-100AP)
Camera Stand



GEM04-222008A
Wi-Fi Dual Band Omni Antenna



GEM07-15072A
3G Antenna



GEM04-222060
Wi-Fi Dual Band Antenna



GEM04-222070
Wi-Fi Dual Band Patch Antenna

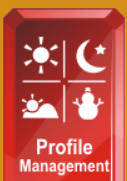
Network Equipments



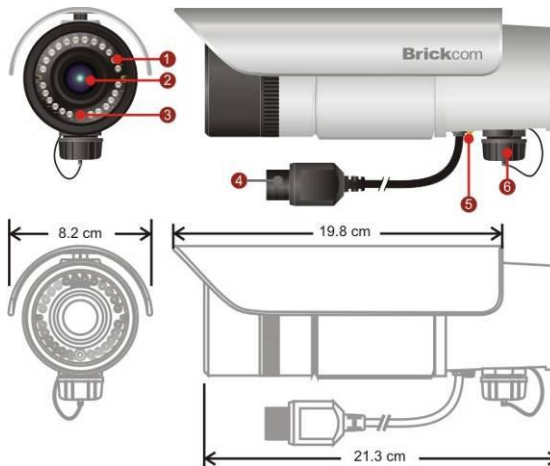
DWRT-600N
Dual-Band Wireless N Router



POE30U
PoE Injector

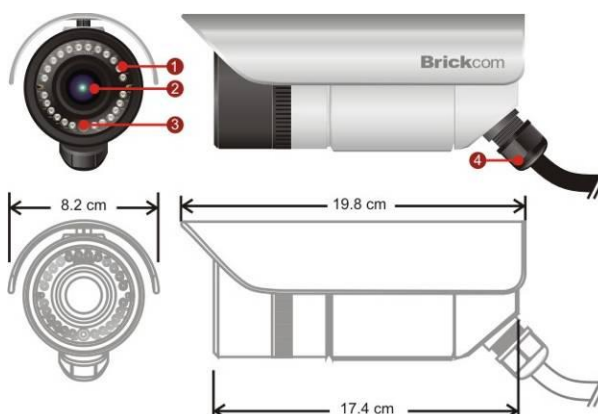


Dimension Diagram (OB-100Ap Series)



1. IR LED
2. Lens
3. Light Sensor
4. RJ45 Connector 1 (for Ethernet and High Power POE)
5. Antenna Connector
6. RJ45 Connector 2 (for Audio in/out, RS485, DIDO)

Dimension Diagram (OB-100Ae Series)



1. IR LED
2. Lens
3. Light Sensor
4. IO Interface

OB-100A Series

Camera		Network	
Model Number	<p>OB-100Ae - Outdoor/ Megapixel/ IR LED/ 2 Way Audio/ Ethernet/ POE/ DIDO/ RS485/ Weather-Proof</p> <p>WOB-100Ae - Outdoor/ Megapixel/ IR LED/ 2 way Audio/ Ethernet/ POE/ Wi-Fi/ DIDO/ RS485/ Weather-Proof</p> <p>OB-100Ap - Outdoor/ Megapixel/ IR LED/ 2 way Audio/ Micro SDHC/ Ethernet/ POE/ DIDO/ RS485/ Weather-Proof/ Smart Focus</p> <p>WOB-100Ap - Outdoor/ Megapixel/ IR LED/ 2 way Audio/ Micro SDHC/ Ethernet/ POE/ Wi-Fi/ DIDO/ RS485/ Weather-Proof/ Smart Focus</p> <p>GOB-100Ap - Outdoor/ Megapixel/ IR LED/ 2 way Audio/ Micro SDHC/ Ethernet/ POE/ 3G/ DIDO/ RS485/ Weather-Proof/ Smart Focus</p>	Communication	<p>Ethernet : one 10/100Mbps RJ-45 IEEE 802.11a/b/g/n compliance (WOB-100Ap/ WOB-100Ae)</p> <p>HSUPA/UMTS 850/1900/2100 (GOB-100Ap)</p> <p>Supported Protocols : TCP/IP, UDP, ICMP, DHCP, NTP, DNS, DDNS, SMTP, FTP, HTTP, Samba, PPPoE, UPnP, RTP, RTSP, RTCP, Wireless 802.11 a/b/g/n (WOB-100Ap)</p>
Hardware System	<p>CPU: 500 MHz</p> <p>Flash: 16M</p> <p>RAM: 128M DDR(OB-100Ap/ WOB-100Ap/ GOB-100Ap)</p> <p>RAM: 64M DDR(OB-100Ae/ WOB-100Ae)</p>	General	
Image Sensor	<p>Sensor Type : 1/4" CMOS Megapixel Sensor</p> <p>Sensor Resolution : 1280 x 800 pixel</p> <p>Minimum Illumination : 1 Lux (F1.6,Color) 0 Lux (IR ON,B/W)</p>	Interface & Buttons	<p>OB-100Ae/ WOB-100Ae</p> <p>DC Power Connector</p> <p>Ethernet Cable Connector</p> <p>Terminal Block1 (General I/O)</p> <p>Terminal Block2 (AC24V, RS485)</p> <p>External MIC/Line Input</p> <p>External Audio output</p> <p>Reset Button</p> <p>WPS Button (WOB-100Ae)</p> <p>Detachable Antenna Connector (WOB-100Ae/ OB-100Ap/ WOB-100Ap/ GOB-100Ap)</p> <p>RJ45 connector1 (for Ethernet and High power POE)</p> <p>RJ45 connector2 (for Audio in/out,RS485, DIDO)</p> <p>Reset button</p> <p>External Antenna reserve SMA connector (WOB-100Ap)</p> <p>Micro SD/SDHC memory card slot (GOB-100Ap)</p> <p>3G SIM slot</p>
Lens	<p>Lens Type : Motor-focal with Auto-Iris IR Corrective</p> <p>Focal Length: f= 3.3~12 mm, 3.6X</p> <p>View Angle (H): 70° ~22° (V): 42° ~14° (D): 85° ~ 25°</p>	Power input	<p>OB-100Ae/ WOB-100Ae</p> <p>802.3af (PoE)/AC24V/DC12V/1A</p> <p>OB-100Ap/ WOB-100Ap/ GOB-100Ap</p> <p>802.3at(PoE) / DC48V/0.8A</p>
Day & Night Support	<p>Mechanical ICR and 24pcs IR LEDs, triggered by sensor</p> <p>IR distance: 15m</p> <p>IR wavelength: 850nm</p> <p>Bean Angle: 40°</p>	LEDs	Status (Power/Link)
Video		Max. Power consumption	<p>OB-100Ae/ WOB-100Ae</p> <p>7 watts(DC12V 1A)</p> <p>9 watts(PoE802.3af)</p> <p>OB-100Ap/ WOB-100Ap/ GOB-100Ap</p> <p>19 watts(PoE802.3af)</p> <p>23 watts(PoE802.3at)</p>
Video Image Compression	H.264 / MPEG4 / MJPEG	Environment	<p>Water Proof: IP67</p> <p>OB-100Ae/ WOB-100Ae</p> <p>Operating Temperature : -20°C ~ 50°C (-4°F ~122°F)</p> <p>OB-100Ap/ WOB-100Ap/ GOB-100Ap</p> <p>Operating Temperature : -40°C ~ 60°C (-40°F ~140°F), build in fan and heater</p>
Video Setting	<p>Auto Exposure Control: Sport, Normal, Night Vision, User Defined</p> <p>Auto Gain Control: 1X~5X</p> <p>Shutter Speed: 1/5~1/20000</p>	Dimension	<p>OB-100Ae/ WOB-100Ae - 82(D) * 174(H) mm</p> <p>OB-100Ap/ WOB-100Ap/ GOB-100Ap - 82(D) * 213(H) mm</p>
S/N Ratio	39dB	Weight	<p>OB-100Ae/ OB-100Ap</p> <p>Net: 1100 g</p> <p>WOB-100Ae /WOB-100Ap/GOB-100Ap</p> <p>Net: 1150 g</p>
Image Resolution	<p>16:10:1280 x 800/640 x 400/320 x 192</p> <p>16:9:1280 x 720/640 x 352/320 x 176</p> <p>4:3:640 x 480/320 x 240</p>	Humidity	10% ~ 80%
Frame Rate at Max. Resolution	<p>OB-100Ae/ WOB-100Ae</p> <p>H.264: 15 fps</p> <p>MPEG4: 15 fps</p> <p>MJPEG: 30 fps</p> <p>OB-100Ap/ WOB-100Ap/ GOB-100Ap</p> <p>H.264: 30 fps</p> <p>MPEG4: 15 fps</p>	Certification	FCC, CE
Audio		Warranty	Limited 2-year warranty
Audio Streaming	Two-way audio support	Audio Compression	G.711, AMR (8 kHz, Mono, PCM)
Audio Input/Output	External microphone or line input (Unbalanced, 1.4 Vp-p, 1 Vrms)/ Line output		